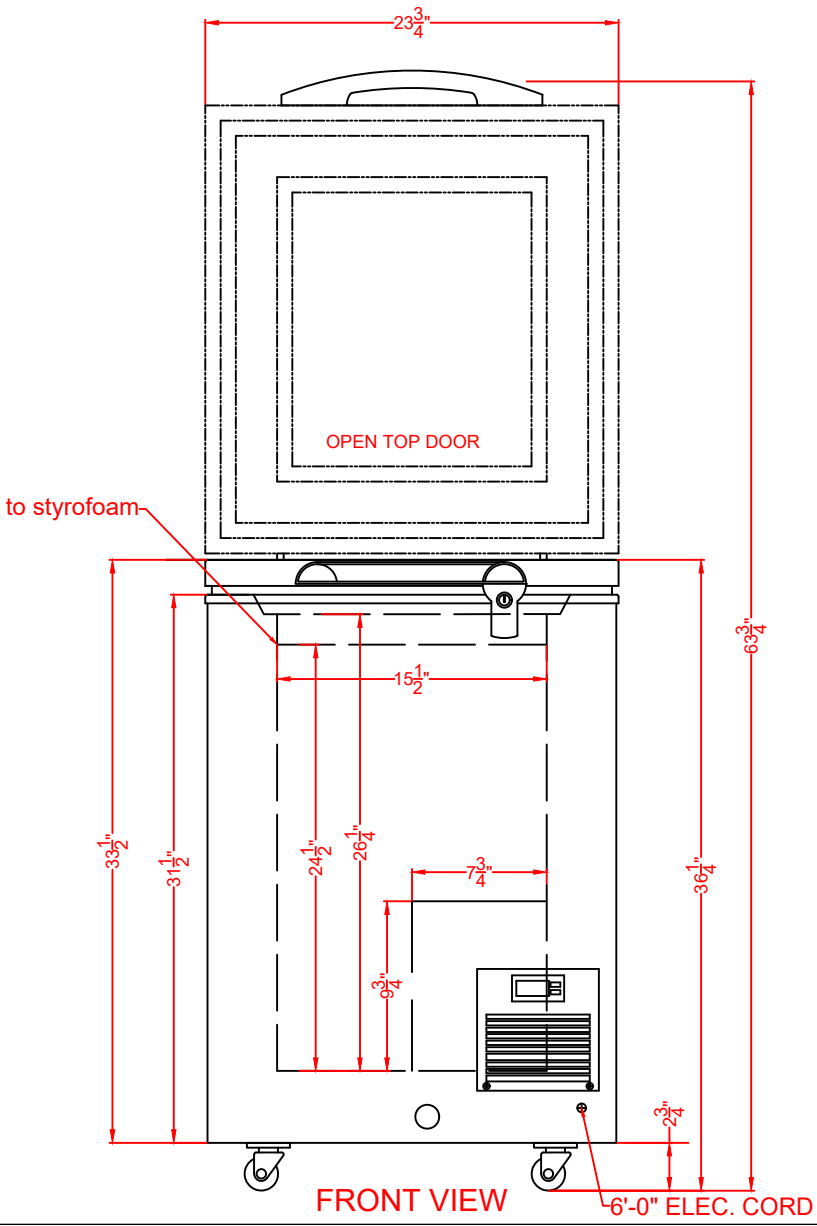


TOP VIEW



LAB8
Chest Freezer
07/20/23

accuc^{Id}
by SUMMIT APPLIANCE

FELIX STORCH, INC.
www.medicalrefrigerators.com
718-893-3900