

SUMMIT

RANGE HOODS



INSTRUCTION MANUAL

Models

SEH3624SSADA

SEH3630SSADA

SEH3636SSADA

FELIX STORCH, INC.
770 Garrison Avenue
Bronx, New York 10474
www.summitappliance.com

Read and save these instructions

TABLE OF CONTENTS

Safety Warnings	2-4
Location of Parts	5
Technical Specifications	6
Dimensional Diagram	7
Installation	8-12
Positioning the Range Hood	8
Preparing the Site	8-9
Installing the Range Hood on the Wall	9-11
Remote Switch Instructions.....	12
Using your range hood	13
Push-Button Controls	
Efficient Ventilation	
Cleaning and Maintenance	14-15
Carbon Filter Replacement	14
Replacement of Lighting Components	15
Moving the Hood.....	15
Troubleshooting	16
Troubleshooting Guide	
Service and Spare Parts	
Exploded View	17
Parts List	20
Wiring Diagram	22
Limited Warranty	23

Read and save these instructions

SAFETY WARNINGS

READ AND SAVE THESE INSTRUCTIONS

- a. This product is designed for domestic use.
- b. Electric input for the device must be 110-120V, 60Hz.
- c. A grounded cable is installed in your device. It must be connected to a grounded electrical socket.
- d. All of the electrical installation must be done by a qualified electrician. Installations done by unqualified people may result in poor performance, failure of the device, and accidents.
- e. Do not let the power cord become pinched or squeezed during installation. Keep the cord away from cooking surfaces; otherwise, the cord could melt and could result in a fire.
- f. Do not connect the power cord before installation is complete.
- g. If the lights in your device have been on for a long time, do not touch them, they are hot enough to burn your hands.
- h. Kitchen hoods are designed for cooking in domestic residences. There is a risk of failure if they are used for other purposes, and this will void the warranty.
- i. Comply with local codes and regulations related to discharging air. (This warning does not apply to hoods without a stack).
- j. Do not cook flammable foods below the hood.
- k. Start the hood after placing pots or pans on your cooking surface. Otherwise, high temperatures may result in the deformation of parts of the hood.
- l. Do not leave hot oil on the cooking surface. Pots that contain hot oil can ignite, causing fires.
- m. When frying foods, be mindful of curtains. They may catch fire.
- n. Change the filters regularly. Oily residues could become fire risks.
- o. When replacing filters, always use the same type of filter as the original. Substitutes may be unsuitable.
- p. Do not use the device without a filter. Do not remove filters while the device is in use.
- q. If there is ignition or sparking, cut off the electric power to the device. (Turn off the switch.)
- r. If the device is not cleaned regularly, built-up grime and dirt could cause a fire.
- s. When you make the stack installation for your hood, use 5.9" (150 mm) diameter pipes. The stack installation must be as short and with as few bends as possible.
- t. Keep the packing materials away from children, as these materials could be dangerous to them.
- u. Ensure that children do not play with the device. Do not let little children use the device.
- v. If the electrical cable is defective, it must be changed by the manufacturer or a qualified service technician.
- w. If there is a fire, cut off the power to the hood and cooking devices and cover the flame. Do not use water to extinguish the fire.
- x. Do not operate any fan with a damaged cord or plug. Discard fan or return to an authorized service facility for examination and/or repair.
- y. Do not run cord under carpeting. Do not cover cord with throw rugs, runners, or similar coverings. Do not route cord under furniture or appliances. Arrange cord away from traffic area and where it will not be tripped over.

GROUNDING INSTRUCTIONS

This appliance must be grounded. In the event of an electrical short circuit, grounding reduces the risk of electric shock by providing an escape wire for the electric current. This appliance is equipped with a cord having a grounding wire with a grounding plug. The plug must be plugged into an outlet that is properly installed and grounded.

WARNING – Improper grounding can result in a risk of electric shock.

Consult a qualified electrician if the grounding instructions are not completely understood, or if doubt exists as to whether the appliance is properly grounded. Do not use an extension cord. If the power supply cord is too short, have a qualified electrician install an outlet near the appliance."

Use only with rangehood cord-connection kits that have been investigated and found acceptable for use with this model rangehood."

WARNING! TO REDUCE THE RISK OF A RANGE-TOP GREASE FIRE:

- a. Never leave surface units unattended at high settings. Boilovers cause smoking and greasy spillovers that may ignite. Heat oils slowly on low or medium settings.
- b. Always turn hood ON when cooking at high heat or when flambéing food.
- c. Clean ventilating fans frequently. Grease should not be allowed to accumulate on fan or filters.
- d. Use proper pan size. Always use cookware appropriate for the size of the surface element.

WARNING! TO REDUCE THE RISK OF INJURY TO PERSONS IN THE EVENT OF A RANGE-TOP GREASE FIRE, OBSERVE THE FOLLOWING:

- a. SMOTHER FLAMES with a close-fitting lid, cookie sheet or metal tray, then turn off the burner. BE CAREFUL TO PREVENT BURNS. If the flames do not go out immediately, EVACUATE AND CALL THE FIRE DEPARTMENT.
- b. NEVER PICK UP A FLAMING PAN – you may be burned.
- c. DO NOT USE WATER, including wet dishcloths or towels, to douse the fire – this could result in a violent explosion of steam.
- d. Use an extinguisher ONLY if:
 1. You know you have a Class ABC extinguisher, and you already know how to operate it.
 2. The fire is small and contained in the area where it started.
 3. The fire department is being called.
 4. You can fight the fire with your back to an exit.

WARNING! TO REDUCE THE RISK OF FIRE, ELECTRIC SHOCK, OR OTHER INJURY, OBSERVE THE FOLLOWING:

WARNING: Use this unit only in the manner intended by the manufacturer. If you have questions, contact the manufacturer.

- a. Before servicing or cleaning the unit, switch power off at the service panel and lock the service-disconnecting means to prevent power from being switched on accidentally. If the service-disconnecting means cannot be locked, securely fasten a prominent warning device, such as a tag, to the service panel.
- b. **WARNING:** To reduce the risk of fire or electric shock, do not use this fan with any solid-state speed control device.

CAUTION:

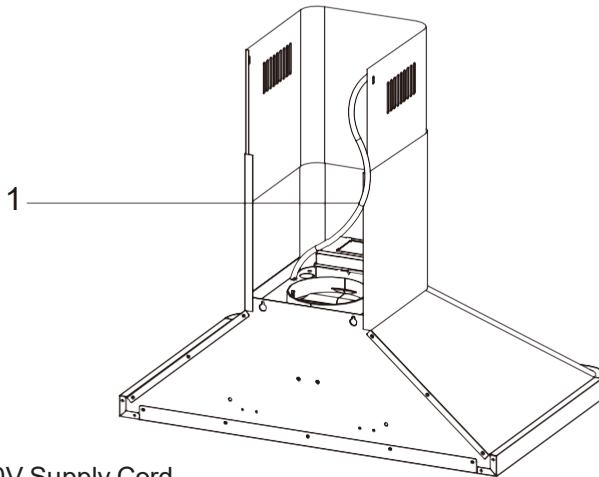
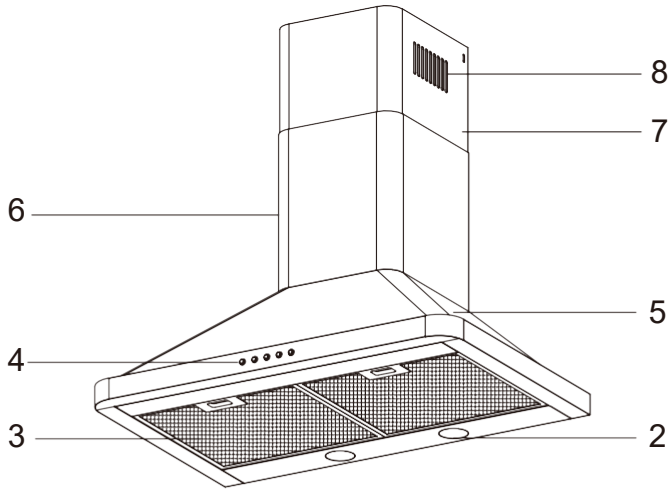
- a. **WARNING:** The fan in this device is for general ventilating use only. Do not use to exhaust hazardous or explosive materials and vapors.
- b. To reduce the risk of fire and to properly exhaust air, be sure to duct air outside. Do not vent exhaust air into spaces within walls, ceilings, attics, crawl spaces, or garages.
- c. **WARNING:** Use only metal ductwork.

WARNINGS ABOUT HANDLING AND CARRYING

- a. All the materials used in the packaging of your device are suitable for recycling.
- b. Comply with the warning labels on the packs during transportation.
- c. Grasp handling grips while carrying your device.

**How to obtain the electronic version manual:
www.summitappliance.com**

LOCATION OF PARTS



- 1- 120V Supply Cord
- 2- Illumination
- 3- Aluminum Cassette Filter
- 4- Control Panel
- 5- Body
- 6- External Chimney
- 7- Internal Chimney
- 8- Ventilation

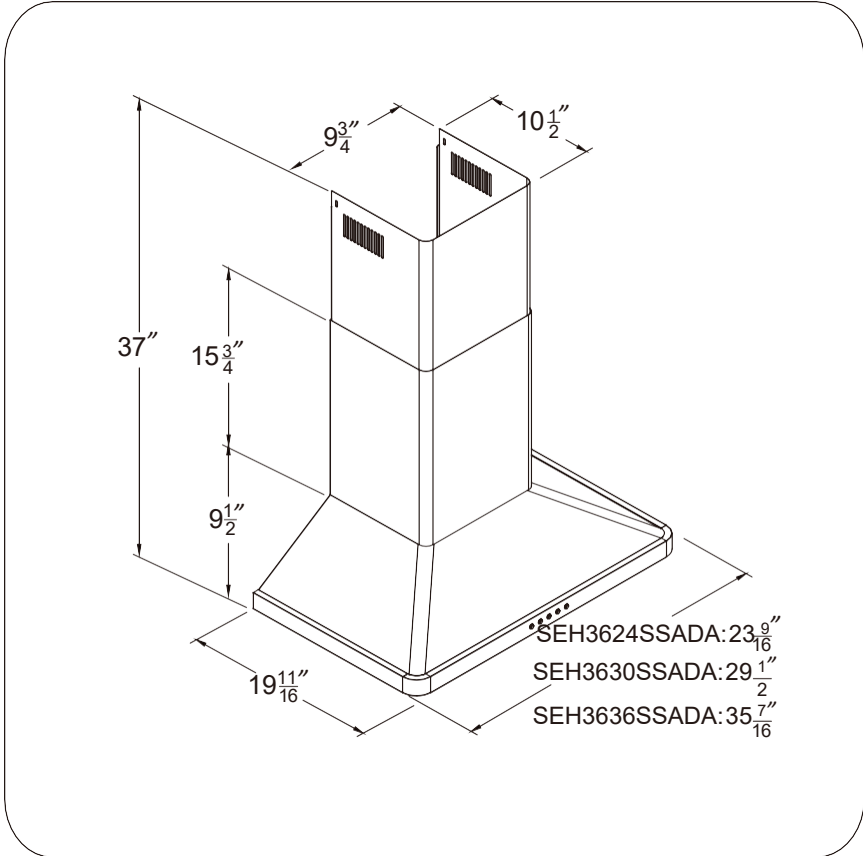
TECHNICAL SPECIFICATIONS

Model	SEH3624SSADA SEH3630SSADA SEH3636SSADA
Voltage(V)	120V
Lamp (W)	2 x 5W LED
Control Type	Electronic soft-touch control
Motor Power (W)	310W
Capacity (CFM)	400CFM ±10%
Motor Insulation Class	B
Insulation Class	CLASS I

Table 2

DIMENSIONAL DIAGRAM

WARNING!
TO REDUCE THE RISK OF FIRE, USE ONLY METAL DUCTWORK.

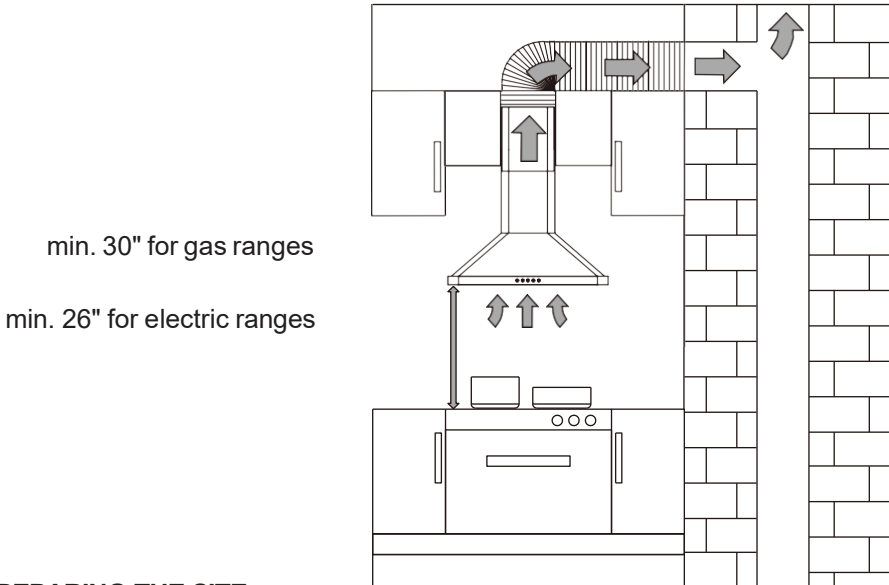


INSTALLATION

CAUTION: *During installation, persons installing the hood must wear heavy gloves to protect against sharp edges.*

POSITIONING THE RANGE HOOD

Upon completion of installation, the distance between the hood and an electric rangetop must be a minimum of 26" (65cm), and the distance between the hood and a gas rangetop must be a minimum of 30" (75cm).



PREPARING THE SITE

WARNING – TO REDUCE THE RISK OF FIRE, ELECTRIC SHOCK, OR INJURY, OBSERVE THE FOLLOWING:

- Installation work and electrical wiring must be done by qualified personnel in accordance with all applicable codes and standards, including re-rated construction.
- Sufficient air is needed for proper combustion and exhausting of gases through the chimney of fuel-burning equipment to prevent back-drafting. Follow the range manufacturer's guidelines and safety standards such as those published by the National Fire Protection Association (NFPA), the American Society for Heating, Refrigeration and Air Conditioning Engineers (ASHRAE), and the local code authorities.
- When cutting or drilling into a wall or ceiling, do not damage electrical wiring and other hidden utilities.
- Ducted fans must always be vented to the outdoors.

INSTALLING THE RANGE HOOD ON THE WALL

A) DRILLING OF HANGING HOLES

Confirm the installation position of the hood and install it according to the Figure at right.

Open the holes on A,B,C,D points with \varnothing 8mm sized drill bit.

Open holes at points E and F with a \varnothing 8mm sized drill bit in order to screw chimney assembly parts

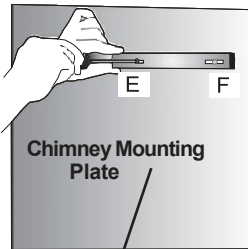
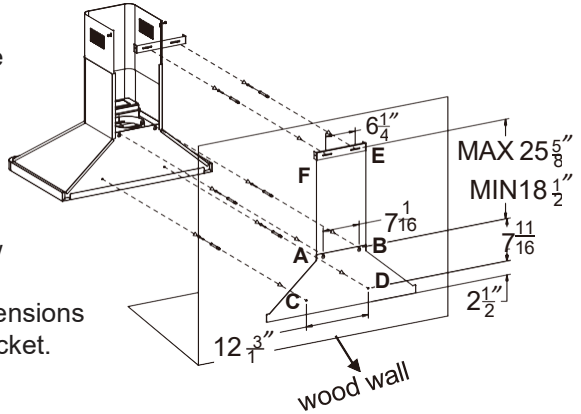
Refer to the chimney installation dimensions to fix the position of the chimney bracket.

B) SCREWING OF WALL PLUGS

Screw the \varnothing 8mm sized wall plugs into A, B,C,D holes for hanging screws. Screw the \varnothing 8mm sized wall plugs into E, F holes for chimney mounting parts.

C) SCREWING OF HANGING SCREWS

Screw the hanging screws into \varnothing 8mm sized wall plugs in A, B holes. There must be a 5mm distance between the screw head and wall.

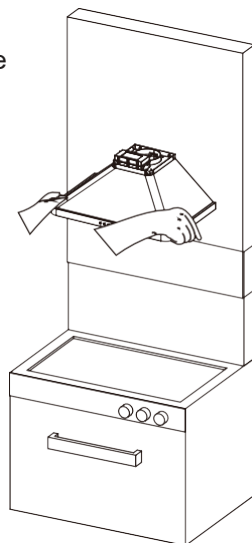


wood wall

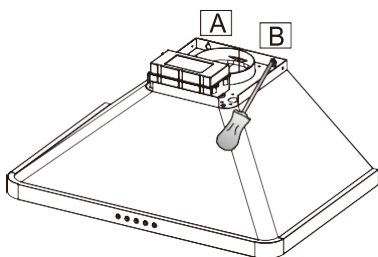
Screw the chimney mounting parts into \varnothing 8mm sized wall plugs on E,F points which is provided with your product.

D) MOUNTING THE PRODUCT ONTO WALL

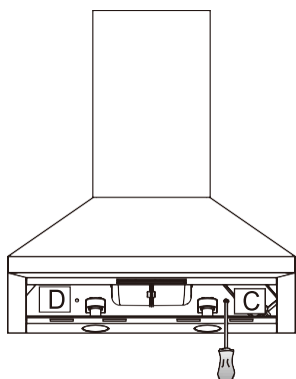
Hang the product by already mounted -L shaped- hanging the parts covering the body.



Then fix the body on (A,B) holes to the wall using the screws.

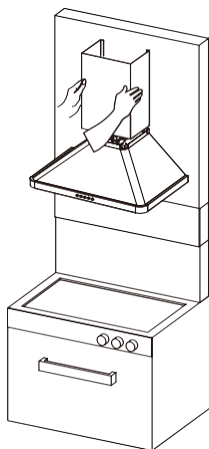


Fix the body onto the wall with a screw through the (C,D) holes that are located inside the body.



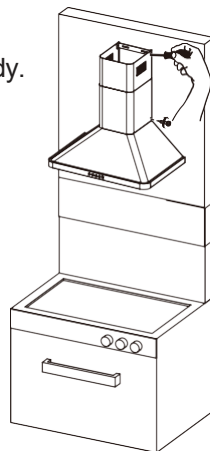
NOTE: If the hood seems to be tilting, slightly loosen the screws that are used on the hanging parts at the top and straighten until the hood is vertical.

WARNING!
TO REDUCE THE RISK OF FIRE, USE ONLY METAL DUCTWORK.



Place metal chimneys over product body.

Screw internal chimney on chimney fixing sheet, fixed over upper corner of external chimney.



REMOTE SWITCH INSTALLATION

NOTE: Installation and service must be performed by a qualified installer/electrician

WARNING:

To avoid fire or electrical shock, turn off the power at the circuit breaker. Test to ensure that the power is off before starting the wiring.

NOTE: If installing this switch in accordance with ADA guidelines, the height of the light switch must be no lower than 15" from the floor and no higher than 48" from the floor. Additional regulations apply if there are any obstructions in front of the switch. For more information, refer to Section 308 of the most recent ADA Standards for Accessible Design at ada.gov.

INSTALLING THE MAIN POWER SUPPLY

Attach the power cable located at the back of the unit.

Remove the grease filter.

WIRING

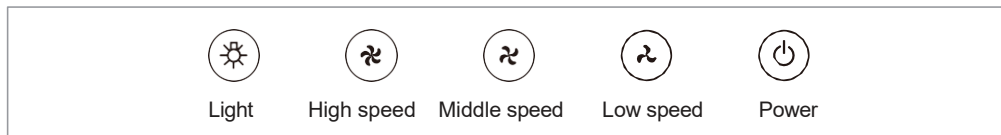
CONNECTING UNIT TO REMOTE SWITCH

Remove the panel from the unit and install the range hood as shown in the *Installation* section of this user manual. Connect the provided wire to the range hood and run it through the wall to where the remote switch will be installed. Connect the other end of the extension wire to the remote switch and attach the remote switch to the wall.

Use the provided metal hole fillers where the control panel would normally be on the range hood.

Using your range hood

For best performance, you should switch on the range hood 15 minutes before starting to cook and leave it to run for approximately 15 minutes after the end of cooking.



When the hood is powered on, there will be a beep, and enter the off state. **Power-off:** The power button is off, the power indicator is off, and it is in the off state.

Pressing the speed button is invalid at this time.

Power-on: In the powered-on state, press the power button, the power indicator light is on, and it is in the power-on state. All buttons will work at this time.

Power button (Delay button):

The powered-on and the powered-off state can be toggled. When the fan is running, press the power button to enter the delay state, the delay time is 15 minutes. When the delay time is reached, it enters the off state. In the delay state, the delay will not be affected when the speed is switched between each other. Press the power button again to enter the off state.

Speed button:

In the powered-on state, press any speed button, and the corresponding indicator light will turn on, and the fan works at this speed. During the operation of the fan, the fan speeds can be switched to each other and correspond to the speed indicator. The fan can also be turned on or off by pressing the button repeatedly.

Light button:

In the powered-on state, press the light button, the lighting indicator lights up, and the light works. Press the button again, the lighting indicator is off, and the light stops working.

Note: Light button on or off is not controlled by the power button.

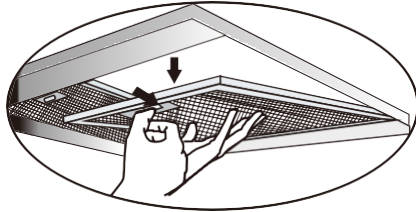
IMPORTANT NOTE!

Pay attention when operating the hood simultaneously with devices that work by burning the ambient air with fuel (such as gas heaters). The burning may be affected because the hood discharges air in the room to the outside.

This advice does not apply to hoods not having an outside exhaust.

CLEANING AND MAINTENANCE

- * Disconnect the device prior to maintenance (cut off its power supply by turning off the switch).
- * The aluminum cassette filter holds oils and dust from the air. The metal filter must be washed in hot soapy water every month, if possible, in the dishwasher at 140°F.
- * To disassemble, press on the spring clamps at the edge of the cassette filter. (After cleaning, do not reassemble before drying.)

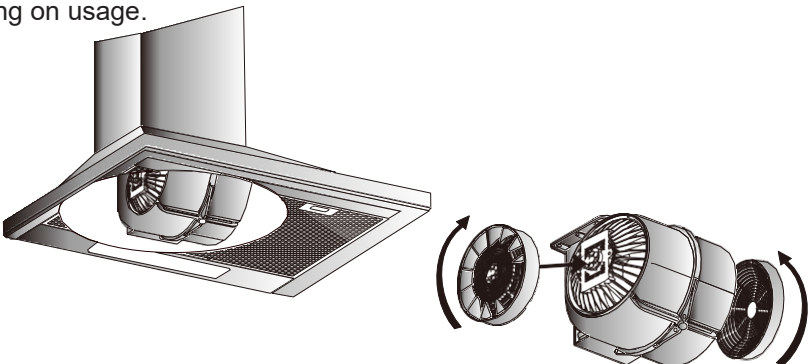


- * Outer surfaces of the hood should be wiped with a cloth dampened with a solution of liquid detergent. Do not clean the unit with products containing corrosive substances.
- * Avoid wetting switches or other electronic parts when cleaning with water or other liquids.
- * When cleaning stainless steel surfaces, use products specifically made for this use.

Note: Aluminum filters may change color after several washings in the dishwasher. This is normal and does not affect the performance of the filter.

CARBON FILTER REPLACEMENT

Before replacing the round carbon filters, disconnect the power to your device. The carbon filters are located behind the metal filter, on the left and right sides of the blower. First, take out the metal filter. To replace the carbon filters, remove the old ones from the device and mount the new ones as shown. In kitchens that do not have a chimney outlet, the carbon filter should be replaced every 3-5 months depending on usage.



REPLACEMENT OF LIGHTING COMPONENTS

Disconnect the hood.

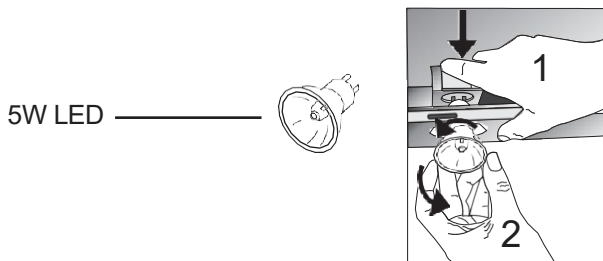
Remove the aluminum cassette filter.

In order to change the 5W LED light, refer to diagram below. (1) Press down on the back part of the lamp holder and (2) turn it counter-clockwise.

Replace the old bulb with the new one. Turn in the reverse direction when installing the new bulb.

WARNING!

Be sure the bulb is cool before trying to change it.



NOTE: Replacement bulbs can be purchased directly from SUMMIT by calling us at **1-800-932-4267** or by going to our website at **www.summitappliance.com/support**. Have the model number of your range hood handy.

MOVING THE HOOD

If you expect to have to move your range hood:

- * Keep original packaging. Move your hood using original packaging; comply with moving instructions printed on the packaging.

If you do not have original packaging:

- * Do not put any load on the range hood.
- * Avoid any possible impacts.
- * Pack the hood in such a way as to prevent damage.

TROUBLESHOOTING

If hood does not operate, before contacting customer service:

Be sure that the power cable is connected to the power supply and that the electric fuse for the installation is in good condition. Before contacting the service, check your hood according to the table below. If the problem continues, contact your dealer or authorized service center.

Troubleshooting Guide

	Check Electric connection. (Supply voltage should be 110-120 V, hood should be connected to grounded socket.)	Check motor switch. (Motor switch should be in 1,2,3 position)	Check lamp switch. (Lamp switch should be in on position.)	Check aluminum filter. (Aluminum cassette filter should be washed once a month under normal conditions.)	Check bulbs. (Bulbs should be in good conditions.)	Check air outlet chimney. (Air outlet chimney should be open.)	Check carbon filter. (If it operates with carbon filter, carbon filter should be replaced quarterly.)
Hood does not operate	X	X					
Illumination lamp does not illuminate	X		X		X		
Air suction of hood is weak				X		X	X
It does not exhaust air (in the ambient without chimney)				X			X

Service and Spare Parts

You can obtain service advice and spare parts for your product directly from SUMMIT by calling us at **1-800-932-4267** or by going to our website at

www.summitappliance.com/support

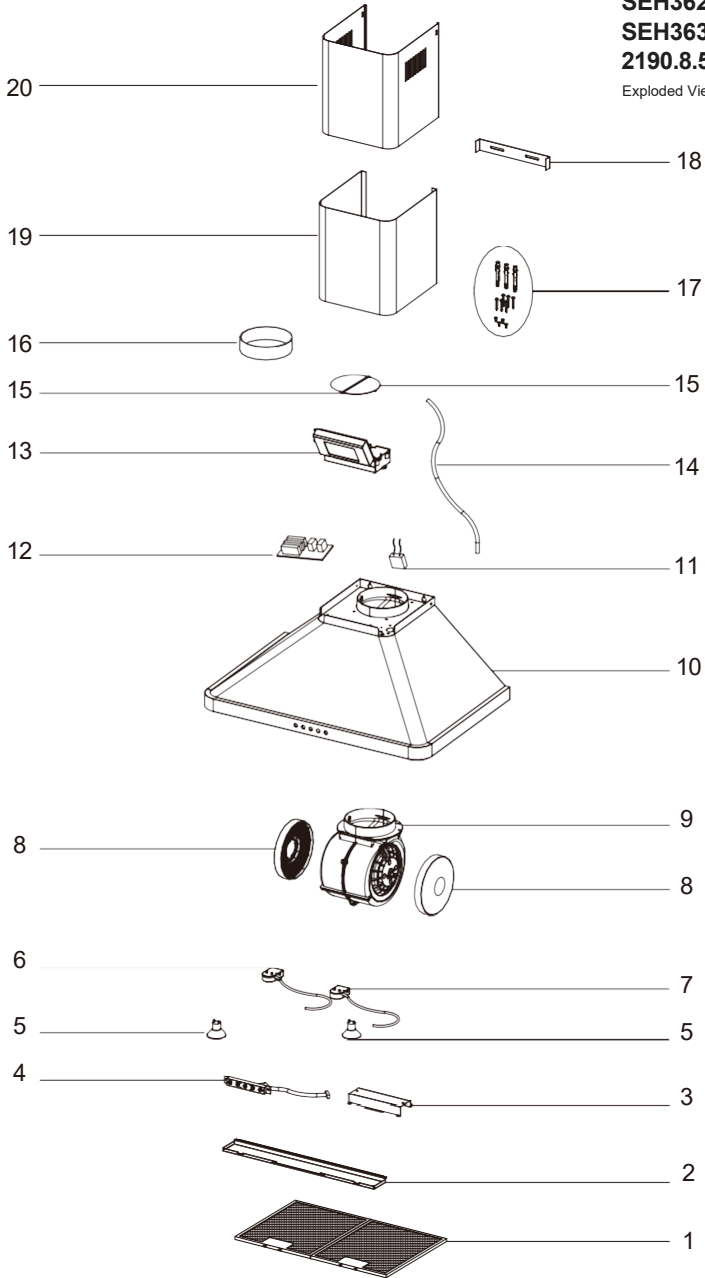
Have the model number of your range hood handy. This can be found on the product label, which can be seen when you remove the aluminum cassette filter.

An exploded view, parts list and wiring diagram for your unit can be found on the following pages of this manual.

EXPLODED VIEW

SEH3624SS
SEH3630SS
2190.8.579.01

Exploded View For 24" Model



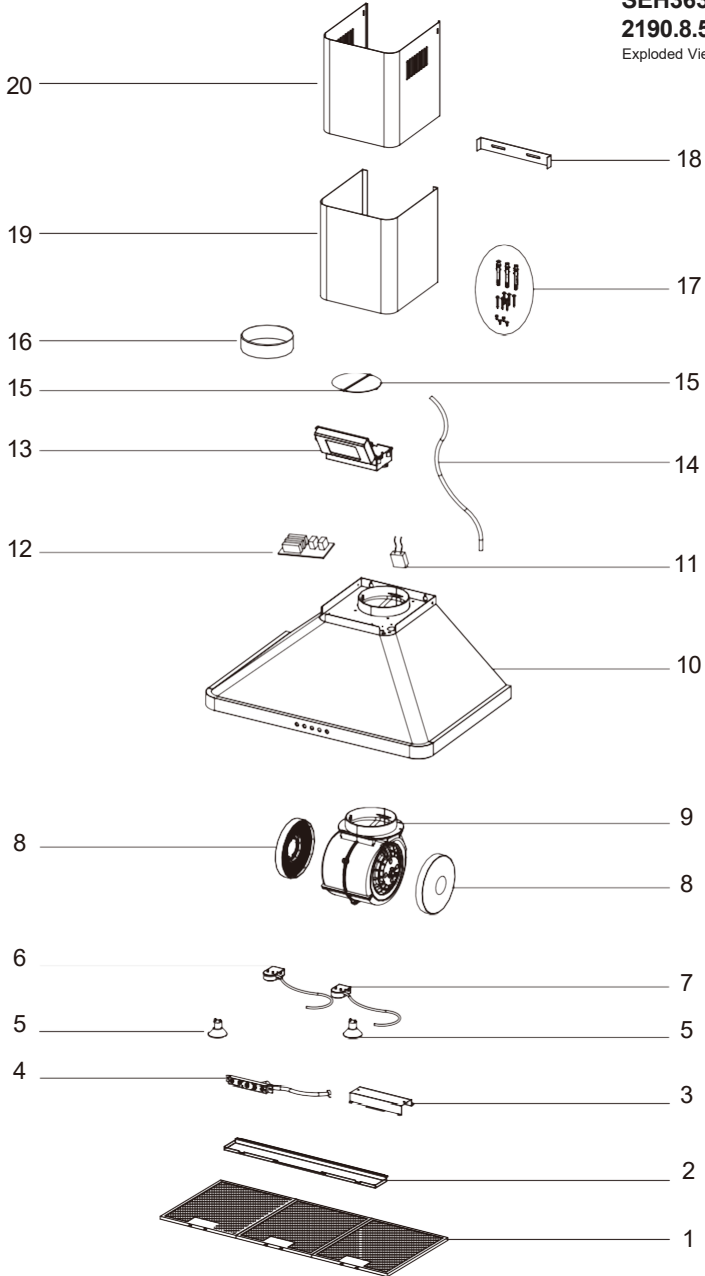
Model	SEH3624SS	
Model No	2190.8.579.01	
Pos.	Part No.	
1	0010800207	Cassette aluminum filter
2	0010108074	Switch front panel
3	0010108079	Switch bracket
4	0010902449	electronic switch
5	0010902447	LED LAMP 5W
6	0011405570	Lamp holder assembly-with long wire
7	0011405571	Lamp holder assembly-with short wire
8	0010800396	Charcoal filter
9	0011405534	Blower assembly
10	0011405544	Main body
11	0010900276	Capacitor
12	0010902450	PCB
13	0010201260	Junction box
14	0010902227	Power cord
15	0010201263	Damper flap
16	0010108117	Metal protective case
17	0011405536	Screw bag assembly
18	0010108119	Chimney bracket
19	0010108123	External Chimney
20	0010108121	Internal Chimney

Model	SEH3630SS	
Model No	2190.8.579.01	
Pos.	Part No.	
1	0010800394	Cassette aluminum filter
2	0010108086	Switch front panel
3	0010108079	Switch bracket
4	0010902449	electronic switch
5	0010902447	LED LAMP 5W
6	0011405570	Lamp holder assembly-with long wire
7	0011405571	Lamp holder assembly-with short wire
8	0010800396	Charcoal filter
9	0011405534	Blower assembly
10	0011405547	Main body
11	0010900276	Capacitor
12	0010902450	PCB
13	0010201260	Junction box
14	0010902227	Power cord
15	0010201263	Damper flap
16	0010108117	Metal protective case
17	0011405536	Screw bag assembly
18	0010108119	Chimney bracket
19	0010108123	External Chimney
20	0010108121	Internal Chimney

EXPLODED VIEW

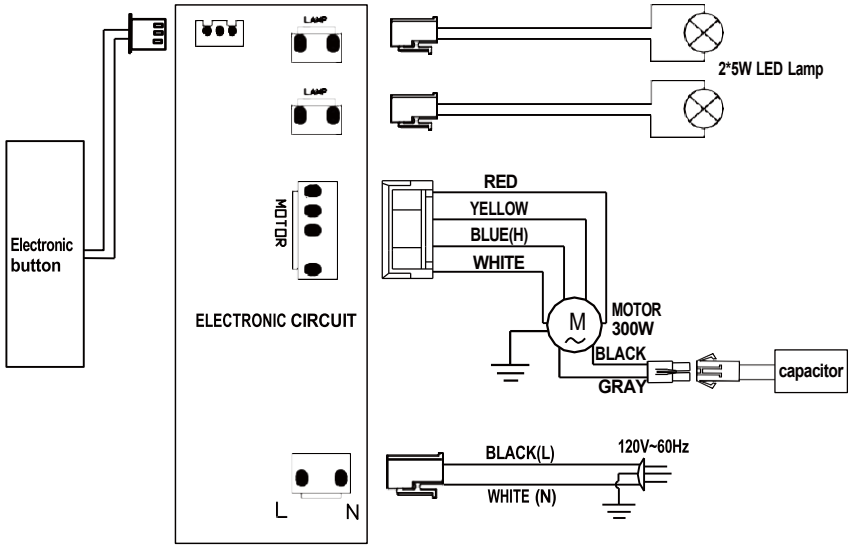
SEH3636SS
2190.8.579.01

Exploded View For 24" Model



Model	SEH3636SS	
Model No	2190.8.579.01	
Pos.	Part No.	
1	0010800395	Cassette aluminum filter
2	0010108094	Switch front panel
3	0010108079	Switch bracket
4	0010902449	electronic switch
5	0010902447	LED LAMP 5W
6	0011405570	Lamp holder assembly-with long wire
7	0011405571	Lamp holder assembly-with short wire
8	0010800396	Charcoal filter
9	0011405534	Blower assembly
10	0011405548	Main body
11	0010900276	Capacitor
12	0010902450	PCB
13	0010201260	Junction box
14	0010902227	Power cord
15	0010201263	Damper flap
16	0010108117	Metal protective case
17	0011405536	Screw bag assembly
18	0010108119	Chimney bracket
19	0010108123	External Chimney
20	0010108121	Internal Chimney

WIRING DIAGRAM



LIMITED WARRANTY

SUMMIT Appliance warrants this product to be free from defects in materials and workmanship for a period of one year from the date of original purchase or delivery. Any parts determined to be defective will be replaced by SUMMIT at no charge to you. Plastic parts, liners, and outer cabinets are warranted to be manufactured to commercially acceptable standards and free from defects at the time of delivery.

This limited warranty does not apply to:

1. Improper installation
2. Customer misuse, negligence or damage
3. Incorrect electrical current
4. Products with serial number altered or removed
5. Products sold or used outside the fifty United States or District of Columbia
6. Commercial or industrial users
7. Damage to this product from accidents, alterations, failure to follow instructions, fire, floods, earthquakes, war, civil disturbance or Acts of God.

SUMMIT is not liable for consequential or incidental damage.

DISCLAIMER OF IMPLIED WARRANTIES; LIMITATION OF REMEDIES CUSTOMER'S SOLE AND EXCLUSIVE REMEDY UNDER THIS LIMITED WARRANTY SHALL BE PRODUCT REPAIR AS PROVIDED HEREIN. IMPLIED WARRANTIES, INCLUDING WARRANTIES OF MERCHANTABILITY OR FITNESS FOR A PARTICULAR PURPOSE, ARE LIMITED TO ONE YEAR. WARRANTOR SHALL NOT BE LIABLE FOR INCIDENTAL OR CONSEQUENTIAL DAMAGES. SOME STATES DO NOT ALLOW THE EXCLUSION OR LIMITATION OF INCIDENTAL OR CONSEQUENTIAL DAMAGES, OR LIMITATIONS ON THE DURATION OF IMPLIED WARRANTIES OF MERCHANTABILITY OR FITNESS, SO THESE EXCLUSIONS OR LIMITATIONS MAY NOT APPLY TO YOU. THIS WARRANTY GIVES YOU SPECIFIC LEGAL RIGHTS AND YOU MAY ALSO HAVE OTHER RIGHTS, WHICH VARY FROM STATE TO STATE.



WARNING: This product can expose you to chemicals including Nickel (Metallic) which is known to the State of California to cause cancer.

For more information go to www.P65Warnings.ca.gov

FELIX STORCH, INC.
Summit Appliance Division
770 Garrison Avenue
Bronx, NY 10474
Phone: (718) 893-3900
Fax: (718) 842-3093
www.summitappliance.com

SUMMIT

For parts and accessory ordering,
troubleshooting, and helpful hints, visit:
www.summitapplianceparts.com