



TEM665CW



35.75" x 24.13" x 24" (H x W x D)

24" wide slide-in style 220V electric range in black with induction cooking surface, oven window, and lower storage compartment; made in the USA

Highlights:

Induction cooking surface ensures safer, faster, and more efficient heating

Made in the U.S.A.

24 inch footprint offers an easy fit in small kitchens

Product Features:

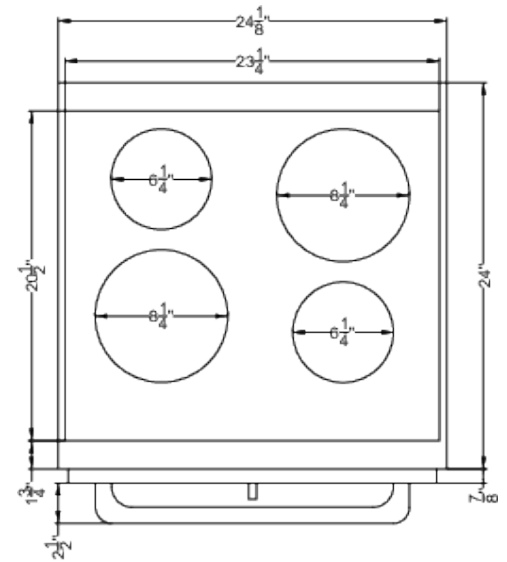
24" Wide Induction Range	Slim-fitting range with an electric oven and induction cooking surface for fast, safe, and efficient cooking
Made in the USA	Designed and constructed domestically
Slim 24 inch width	Apartment-sized width offers all the functionality you need in a smaller footprint
24 inch depth	Shallower fit is ideal for L-shaped and galley kitchens
Induction cooking surface	Electromagnetic heating technology where heat is generated inside your cookware, ensuring a more efficient process with less energy waste, faster heating, and a safer cooking experience
2 large elements	8 1/4" elements in the front left and rear right operate at 2000W (with a 3000W capacity at the boost setting) for fast, powerful heating
2 standard elements	6 1/4" front right and rear left elements operate at 1500W (or 2000W using boost) to cover most general cooking needs
Smart burner layout	Largest elements are located diagonally, with maximum spacing to allow large cooking vessels in use simultaneously
EuroKera glass surface	Easy cleanup and elegant style on a smooth ceramic glass surface in a jet black finish



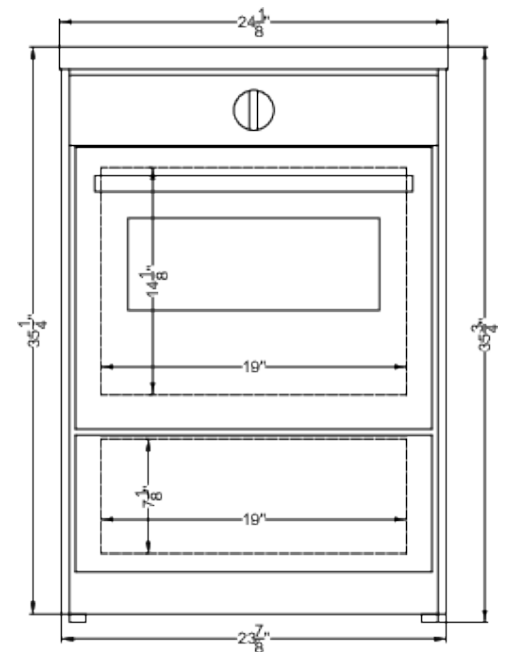
TEM665CW Specifications:

Overview	
Nominal Height	36.0" (91 cm)
Height of Cabinet	35.75" (91 cm)
Nominal Width	24.0" (61 cm)
Width	24.13" (61 cm)
Nominal Depth	24.0" (61 cm)
Depth	24.0" (61 cm)
Door	Black
Cabinet	Black
US Electrical Safety	ETL
Amps	40.0
Voltage/Frequency	220 V AC/60 Hz
Weight	150.0 lbs. (68 kg)
Parts & Labor Warranty	1 Year
UPC	761101145976
Electric Range	
Oven Capacity	2.92 cu.ft. (83 L)
Cooktop Surface	Glass
Element Type	Induction
Number of Elements	4
Element #1 Size	8.25" (21 cm)
Element #1 Wattage	2000.0
Element #2 Size	6.25" (16 cm)
Element #2 Wattage	1500.0
Element #3 Size	8.25" (21 cm)
Element #3 Wattage	2000.0
Element #4 Size	6.325.0" (16066 cm)
Element #4 Wattage	1500.0
Burner Controls	Digital
Oven Controls	Dial
Oven Light	Yes
Cleaning Type	Manual
Oven Rack Qty	2
Oven Window	Yes
Oven Interior Height	14.0" (36 cm)
Oven Interior Width	19.0" (48 cm)
Oven Interior Depth	19.0" (48 cm)
Individual Indicator Lights	Yes

Storage Compartment	Yes
Broiler Location	Inside Oven



Top View



Front View