



# TEM665BW



35.75" x 24.13" x 24" (H x W x D)

24" wide slide-in style 220V electric range in stainless steel with induction cooking surface, oven window, and lower storage compartment; made in the USA

### Highlights:

Induction cooking surface ensures safer, faster, and more efficient heating

Made in the U.S.A.

24 inch footprint offers an easy fit in small kitchens

### Product Features:

|                           |   |
|---------------------------|---|
| 24" Wide Induction Range  | Slim-fitting range with an electric oven and induction cooking surface for fast, safe, and efficient cooking  |
| Made in the USA           | Designed and constructed domestically   |
| Slim 24 inch width        | Apartment-sized width offers all the functionality you need in a smaller footprint  |
| 24 inch depth             | Shallower fit is ideal for L-shaped and galley kitchens   |
| Induction cooking surface | Electromagnetic heating technology where heat is generated inside your cookware, ensuring a more efficient process with less energy waste, faster heating, and a safer cooking experience |
| 2 large elements          | 8 1/4" elements in the front left and rear right operate at 2000W (with a 3000W capacity at the boost setting) for fast, powerful heating   |
| 2 standard elements       | 6 1/4" front right and rear left elements operate at 1500W (or 2000W using boost) to cover most general cooking needs   |
| Smart burner layout       | Largest elements are located diagonally, with maximum spacing to allow large cooking vessels in use simultaneously  |
| EuroKera glass surface    | Easy cleanup and elegant style on a smooth ceramic glass surface in a jet black finish  |

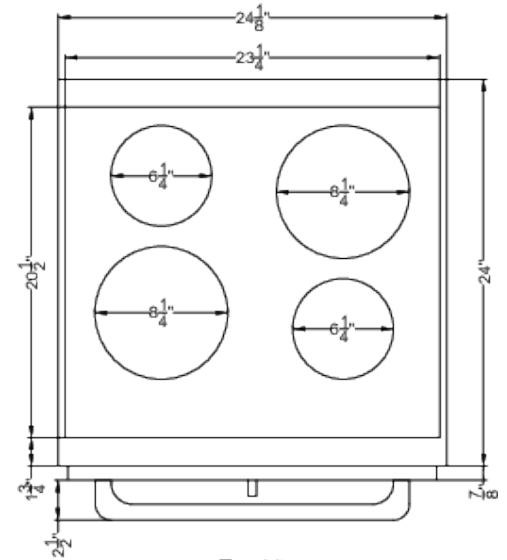


## TEM665BW Specifications:

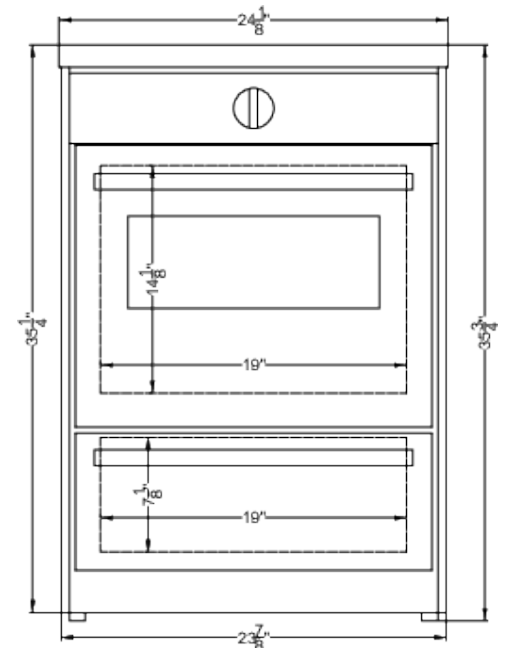
| Overview                    |                    |
|-----------------------------|--------------------|
| Nominal Height              | 36.0" (91 cm)      |
| Height of Cabinet           | 35.75" (91 cm)     |
| Nominal Width               | 24.0" (61 cm)      |
| Width                       | 24.13" (61 cm)     |
| Nominal Depth               | 24.0" (61 cm)      |
| Depth                       | 24.0" (61 cm)      |
| Door                        | Stainless Steel    |
| Cabinet                     | Black              |
| US Electrical Safety        | ETL                |
| Amps                        | 40.0               |
| Voltage/Frequency           | 220 V AC/60 Hz     |
| Weight                      | 150.0 lbs. (68 kg) |
| Parts & Labor Warranty      | 1 Year             |
| UPC                         | 761101145983       |
| Electric Range              |                    |
| Oven Capacity               | 2.92 cu.ft. (83 L) |
| Cooktop Surface             | Glass              |
| Element Type                | Induction          |
| Number of Elements          | 4                  |
| Element #1 Size             | 8.25" (21 cm)      |
| Element #1 Wattage          | 2000.0             |
| Element #2 Size             | 6.25" (16 cm)      |
| Element #2 Wattage          | 1500.0             |
| Element #3 Size             | 8.25" (21 cm)      |
| Element #3 Wattage          | 2000.0             |
| Element #4 Size             | 6.25" (16 cm)      |
| Element #4 Wattage          | 1500.0             |
| Burner Controls             | Digital            |
| Oven Controls               | Dial               |
| Oven Light                  | Yes                |
| Cleaning Type               | Manual             |
| Oven Rack Qty               | 2                  |
| Oven Window                 | Yes                |
| Oven Interior Height        | 14.0" (36 cm)      |
| Oven Interior Width         | 19.0" (48 cm)      |
| Oven Interior Depth         | 19.0" (48 cm)      |
| Individual Indicator Lights | Yes                |
| Storage Compartment         | Yes                |

Broiler Location

Inside Oven



Top View



Front View